

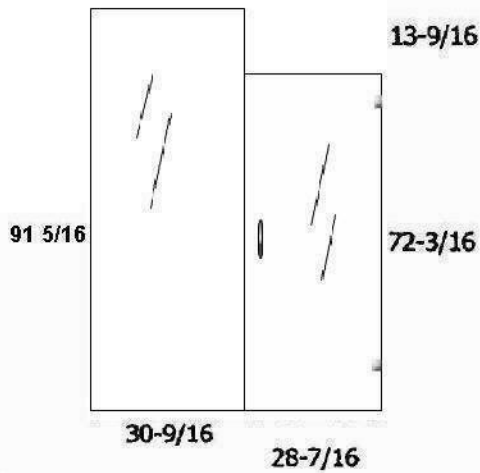
**CONTACTOR: WATTS CONSTRUCTORS - A WEITZ COMPANY
674 HARMON LOOP ROAD, SUITE 212
DEDEDO, GUAM 96929
TEL: 671-633-4534 FAX: 671-633-4545**

**SUPPLIER: TROYER AUTOMATIC DOORS, INC.
dba: DCS INTERNATIONAL
310 SHAW ROAD, SUITE F
SOUTH SAN FRANCISCO, CA. 94080
TEL: 650-871-5529 FAX: 650-583-3288**

SHOWER ENCLOSURE

INSTALLATION SHEET SERIES 8000

3D VIEW



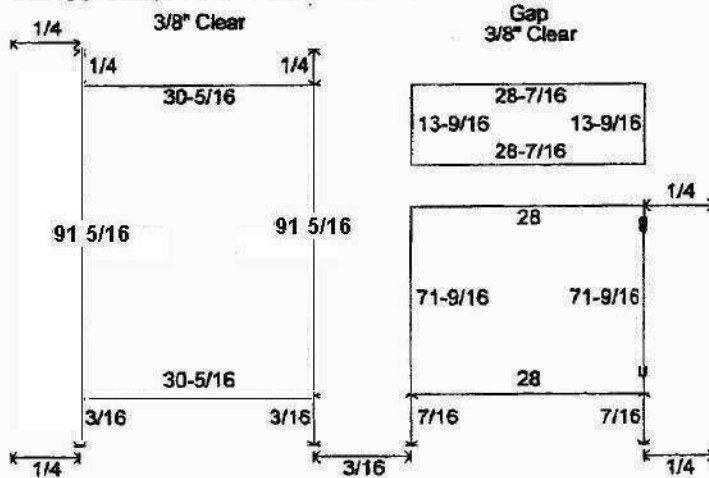
Customer: 1352656 Line 2
 Location:
 Quantity:

OUT OF PLUMB / LEVEL CONDITIONS



Measurements are centerline void

GLASS SIZES AND CLEARANCES



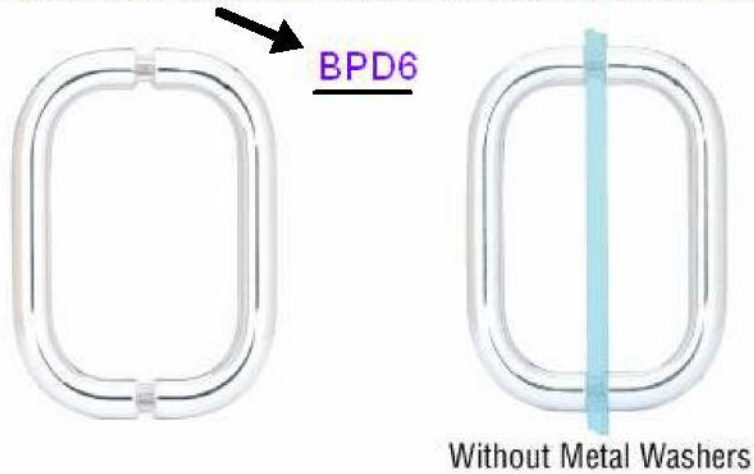
Contractor must verify all dimensions in the field. (ie: curb height, curb to ceiling, width)

SHOWER FITTINGS

Metal cut sizes are center line measurements
 Some metal sizes may not be exact
 UM = Up Miter

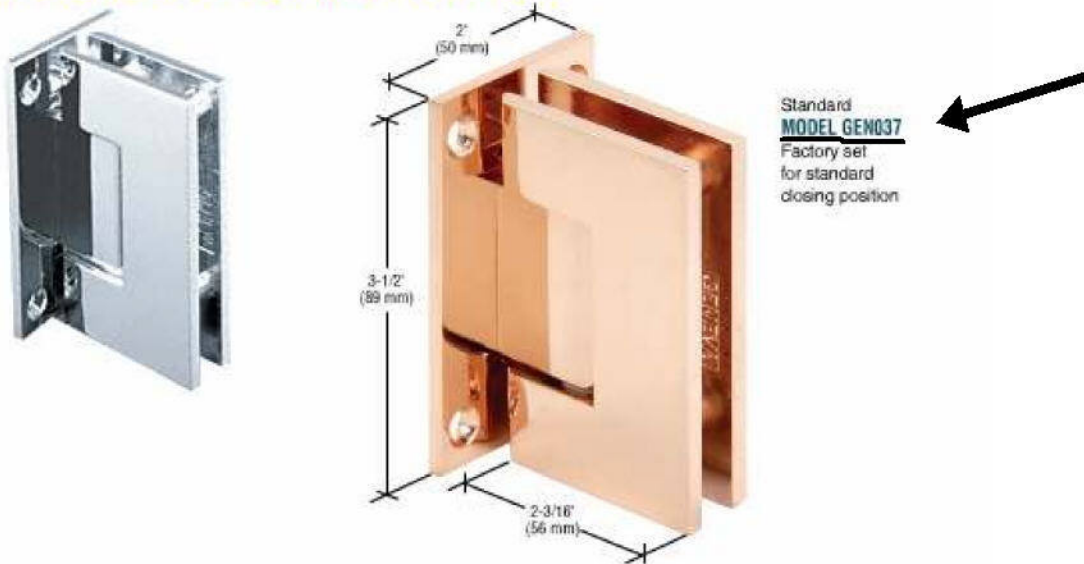
- 1 P380HJ (98")
- 1 P990WS (98")
1 cut into: 28"
- 2 P12 LJ (98")
2 cut into: 71-9/16"
- 1 BMNW6X6CH Chrome
- 2 GEN037CH Chrome
- 1 AT0401436
- 1 P380HJ (98")
1 cut into: 72-3/16"
- 2 SDCD38BA (98") Brite Anodized
1 cut into: 30-9/16" (45° UM, Square) , 30-9/16" (Square, 45° UM)

CRL CHROME 6" BACK-TO-BACK SOLID BRASS 3/4" DIAMETER PULL HANDLES WITHOUT METAL WASHERS



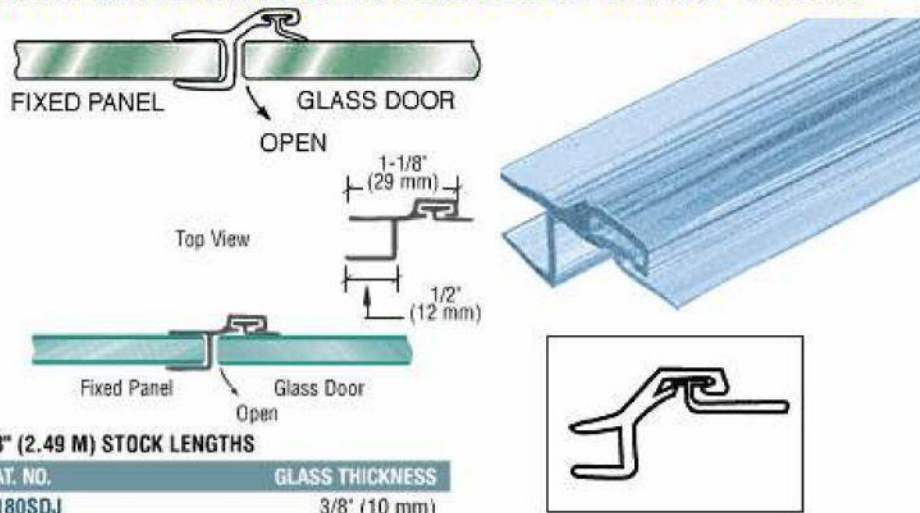
CRL offers a selection of *Solid Brass Pull Handles* in either Back-to Back or Single-Sided styles, with a choice of an economical "no washer" type, or the traditional style pull with 1-1/4 inch (32 millimeter) diameter metal washers.

CRL CHROME GENEVA 037 SERIES WALL MOUNT FULL BACK PLATE STANDARD HINGE



The *CRL Geneva Series* of professional hinges is able to accommodate 5/16 to 1/2 inch (8 to 12 millimeter) glass. A variety of six styles, including Wall Mount and Glass-to-Glass types, gives design flexibility. They are made of solid brass with all moving parts (pins and springs) in stainless steel. Geneva Hinges are self-centering, and contain a Reversible 5 Degree Pivot Pin. In addition, Custom Pivot Pins are available to accommodate "off angle" installations.

CRL POLYCARBONATE STRIKE AND DOOR "H" JAMB WITH VINYL INSERT 180 DEGREE FOR 3/8" GLASS

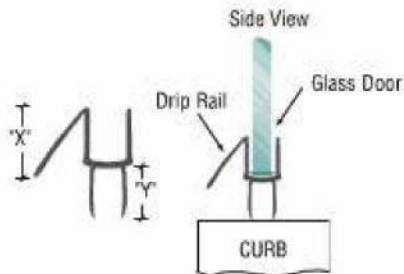
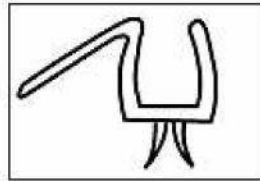


98" (2.49 M) STOCK LENGTHS

CAT. NO.	GLASS THICKNESS
P180SDJ	3/8" (10 mm)

This *CRL Clear 180 degree Polycarbonate Strike and Door "h" Jamb With Vinyl Insert* is snapped onto the fixed panel running inline with the door. Contains clear vinyl insert. Sturdiness of this seal makes it one of our better jambs at reducing water leakage for inline installations.

CRL CLEAR CO-EXTRUDED BOTTOM WIPE WITH DRIP RAIL FOR 3/8" GLASS

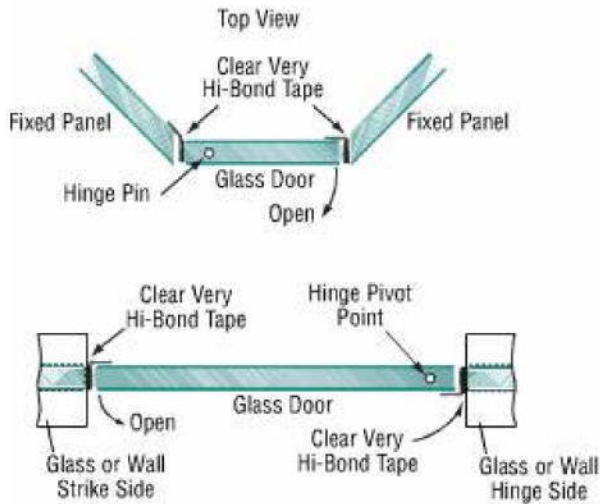


98" (2.49 M) STOCK LENGTHS

CAT. NO.	"x"	"y"	GLASS THICKNESS
P990WS	3/4" (19 mm)	3/8" (10 mm)	3/8" (10 mm)

The *CRL Clear Bottom Wipe with Drip Rail* snaps onto bottom of door. The soft wipes on bottom create a water resistant seal. 45 degree Drip Rail sheds water back into the shower stall.

CRL TRANSLUCENT VINYL EDGE "L" SEAL FOR 3/8" MAXIMUM GAP

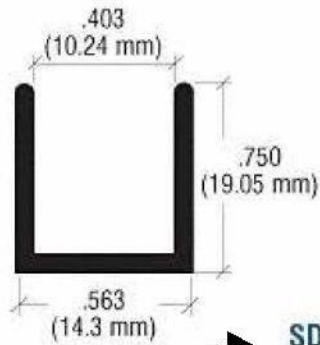


98" (2.49 M) STOCK LENGTHS

CAT. NO.	MAXIMUM GAP
SDTL	3/8" (10 mm)

Our *CRL Translucent "L" Seal* is for use on outswing doors, and can be used on both hinge and strike side jambs. The rigid 5/16 inch (8 millimeter) leg is applied using our Clear Very Hi-Bond Tape. Soft 3/8 inch (10 millimeter) leg acts as a seal and allows for a quiet and forgiving door closure. Minimum order is five each. Packing Charge added to orders fewer than 10 combined lengths.

**CRL BRITE GOLD ANODIZED FRAMELESS SHOWER
DOOR ALUMINUM DEEP U-CHANNEL FOR 3/8" THICK
GLASS - 98"**



SDCD38BGA

Brite Gold Anodized

This 3/4 inch (19 millimeter) tall profile *CRL Deep U-Channel* is used for securing fixed panels of glass to the wall, ceiling or floor. Widths suitable for 3/8 and 1/2 inch (10 and 12 millimeter) thick glass are available, and are individually wrapped to protect the finish. The 3/4 inch (19 millimeter) tall profile Deep U-Channel can be used also as the top channel in installations where the glass must be inserted into the top, then lowered into the Regular U-Channel used at the bottom of the enclosure. Over a dozen stock finishes are offered.